

	Back	Seat	Arms	Relaxsystem
<b>Foam quality</b>	Moulded Foam 50 kg / m <sup>3</sup> covered with Pantera foam 40 kg / m <sup>3</sup>	Pantera foam 40 kg / m <sup>3</sup>	Foam 38 kg / m <sup>3</sup>	
<b>Materials</b>	Steel	Steel with nosag springs	Stainless Steel  (Also available in black)	Steelplate 5 mm thick
<b>Staincolours</b>	Natural, Oak, Cherry, Black, Walnut, Alder and Rosewood			

## RELAXCHAIR

All the chairs from the "Smart" collection can be adjusted manually or with the help of two motors. There is also a version available with stand-up support. This relaxsystem is almost invisible hidden underneath the chair.

There is a difference in controlling and powering the relaxsystem between the 2-motor system without stand-up and the 2-motor system with stand-up support:

**2-motorsystem without stand-up support:**

- The power is delivered by a rechargeable battery.
- The relaxsystem is controlled by 4 buttons placed in the arm.

**2 motorsystem with stand-up support:**

- The power is delivered by an adapter. (A rechargeable battery is optional.)
- The relaxsystem is controlled by 4 buttons placed in the arm.

The chair is available in the sizes **Extra Small, Small, Medium and Large**

**Extra Small:** In this size the seatheight is 2 cm less and the seatdepth is 4 cm less than the chair in Medium size.

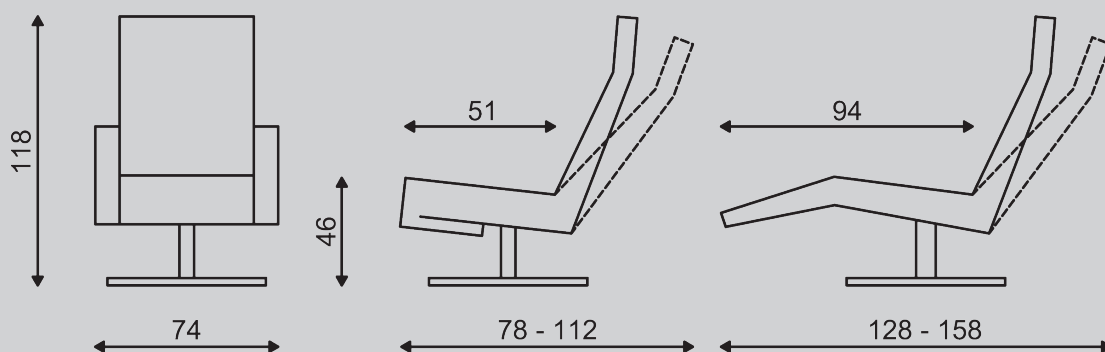
**Small:** In this size the seatheight is 2 cm less and the seatdepth is 2 cm less than the chair in Medium size.

**Large:** In this size the seatheight is 2 cm more and the seatdepth is 2 cm more than the chair in Medium size.



base 88

	Swivelchair			
	XS	S	M	L
Manually adjustable Back is adjustable with gasspring	Standard feature			
Electrical adjustment with the help of 2 motors ( <b>Without</b> stand-up)	Optional			
Electrical adjustment with the help of 2 motors ( <b>With</b> stand-up)	Optional			
Type of remote control	4 button controlpanel in arm or seat - Standard feature Handcontrol with spiralcable - Optional			
Powersource by system <b>Without</b> stand-up.	Battery - Standard feature Adapter - Optional			
Powersource by system <b>With</b> stand-up.	Battery - Optional Adapter - Standard feature			
Inflatable lumbar support	Optional			
Leather use	5,50 m <sup>2</sup>			
Leather use with upholstered base	6,00 m <sup>2</sup>			
Fabric use	4,10 mtr			
Fabric use with upholstered base	4,60 mtr			



Small deviations in dimensions reserved. (These dimensions represent the chair in Medium size)