

	Back	Seat	Arms	Relaxsystem
<b>Foam quality</b>	Moulded Foam 50 kg / m <sup>3</sup> covered with Pantera foam 40 kg / m <sup>3</sup>	Pantera foam 52 kg / m <sup>3</sup> covered with foam 30 kg / m <sup>3</sup>	Foam 38 kg / m <sup>3</sup>	
<b>Materials</b>	Steel	Steel with nosag springs	Plywood	Steelplate 5 mm thick
<b>Staincolours</b>	Natural, Oak, Cherry, Black, Walnut, Alder and Rosewood			

## RELAXCHAIR

All the chairs from the "Smart" collection can be adjusted manually or with the help of two motors. There is also a version available with stand-up support. This relaxsystem is almost invisible hidden underneath the chair.

There is a difference in controlling and powering the relaxsystem between the 2-motor system without stand-up and the 2-motor system with stand-up support:

**2-motorsystem without stand-up support:**

- The power is delivered by a rechargeable battery.
- The relaxsystem is controlled by 4 buttons placed in the arm.

**2 motorsystem with stand-up support:**

- The power is delivered by an adapter. (A rechargeable battery is optional.)
- The relaxsystem is controlled by 4 buttons placed in the arm.

The chair is available in the sizes **Extra Small, Small, Medium and Large**

**Extra Small** In this size the seatheight is 2 cm less and the seatdepth is 4 cm less than the chair in Medium size.

**Small:** In this size the seatheight is 2 cm less and the seatdepth is 2 cm less than the chair in Medium size.

**Large:** In this size the seatheight is 2 cm more and the seatdepth is 2 cm more than the chair in Medium size.

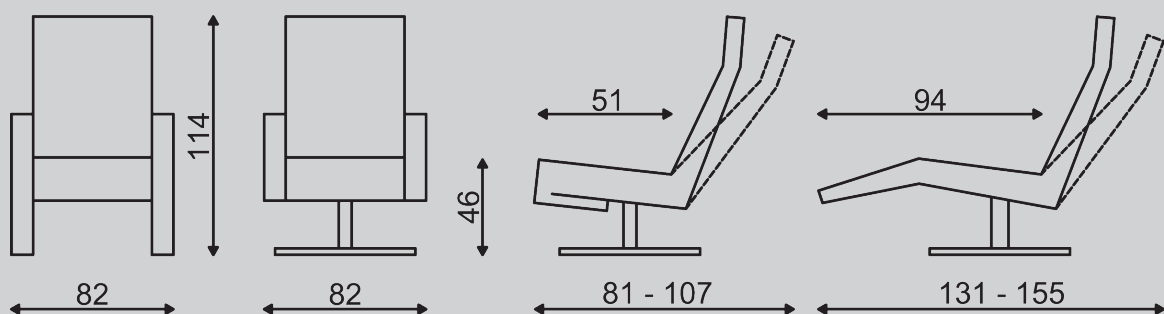


Arms 50



Base 27

	Swivelchair				Chair with fixed arms (50)			
	XS	S	M	L	XS	S	M	L
Manually adjustable Back is adjustable with gasspring	Standard				Standard			
Electrical adjustment with the help of 2 motors ( <b>Without</b> stand-up)	Optional				Optional			
Electrical adjustment with the help of 2 motors ( <b>With</b> stand-up)	Optional				Optional			
Bediening van het relaxsysteem	Touchpanel in arm or seat - Standard Remote with spiralcable - Optional				Touchpanel in arm or seat - Standard Remote with spiralcable - Optional			
Powersource by system <b>Without</b> stand-up.	Battery - Standard Powersupply - Optional				Battery - Standard Powersupply - Optional			
Powersource by system <b>With</b> stand-up.	Battery - Optional Powersupply - Standard				Battery - Optional Powersupply - Standard			
Inflatable lumbar support	Not available				Not available			
Leather consumption	5,30 m <sup>2</sup>				6,00 m <sup>2</sup>			
Leather consumption foot upholstered	5,80 m <sup>2</sup>							
Fabric consumption	4,00 mtr				4,70 mtr			
Fabric consumption foot upholstered	4,50 mtr							



Small deviations in dimensions reserved. (These dimensions represent the chair in Medium size)