

	Back	Seat	Arms	Relaxsystem
Foam quality	Moulded Foam 50 kg / m ³ covered with 2x 200 grs Thermostar	Pantera foam 52 kg / m ³ covered with foam 30 kg / m ³	Foam 38 kg / m ³	
Materials	Steel	Steel with nosag springs	Stainless Steel (Also available in black)	Steelplate 5 mm thick
Staincolours	Natural, Oak, Cherry, Black, Walnut, Alder and Rosewood			

RELAXCHAIR

All the chairs from the "Smart" collection can be adjusted manually or with the help of two motors. There is also a version available with stand-up support. This relaxsystem is almost invisible hidden underneath the chair.

There is a difference in controlling and powering the relaxsystem between the 2-motor system without stand-up and the 2-motor system with stand-up support:

2-motorsystem without stand-up support:

- The power is delivered by a rechargeable battery.
- The relaxsystem is controlled by 4 buttons placed in the arm.

2 motorsystem with stand-up support:

- The power is delivered by an adapter. (A rechargeable battery is optional.)
- The relaxsystem is controlled by 4 buttons placed in the arm.

The chair is available in the sizes Extra Small, Small, Medium and Large

Extra Small: In this size the seatheight is 2 cm less and the seatdepth is 4 cm less than the chair in Medium size.

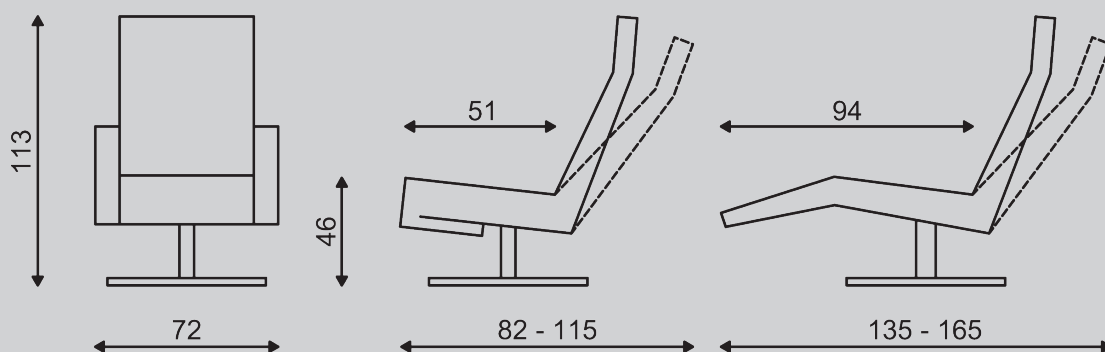
Small: In this size the seatheight is 2 cm less and the seatdepth is 2 cm less than the chair in Medium size.

Large: In this size the seatheight is 2 cm more and the seatdepth is 2 cm more than the chair in Medium size.



base 85

	Swivelchair			
	XS	S	M	L
Manually adjustable Back is adjustable with gasspring	Standard feature			
Electrical adjustment with the help of 2 motors (Without stand-up)	Optional			
Electrical adjustment with the help of 2 motors (With stand-up)	Optional			
Type of remote control	4 button controlpanel in arm or seat - Standard feature Handcontrol with spiralcable - Optional			
Powersource by system Without stand-up.	Battery - Standard feature Adapter - Optional			
Powersource by system With stand-up.	Battery - Optional Adapter - Standard feature			
Inflatable lumbar support	Optional			
Leather use	5,50 m ²			
Leather use with upholstered base	6,00 m ²			
Fabric use	4,10 mtr			
Fabric use with upholstered base	4,60 mtr			



Small deviations in dimensions reserved. (These dimensions represent the chair in Medium size)