

	Back	Seat	Arms	Relaxsystem
<b>Foam quality</b>	Moulded Foam 40 kg / m <sup>3</sup> covered with Pantera foam 40 kg / m <sup>3</sup>	Pantera foam 40 kg / m <sup>3</sup>	Moulded Foam 40 kg / m <sup>3</sup>	
<b>Materials</b>	Steel	Steel with nosag springs	Steel	Steelplate 5 mm thick
<b>Staincolours</b>	Natural, Oak, Cherry, Black, Walnut, Alder and Rosewood			



## TWICE RELAXCHAIR

The Twice system is adjustable with the help of three motors. These three motors manage the back, footrest and “heart balance” features. The back motor ensures that the backrest can be adjusted seamlessly. The motors for the footrest and heart balance feature work in combination with each other. The first motor extends the footrest from beneath the chair. When the footrest is completely extended, the second motor switches on. The second motor tilts both the footrest and the seat backwards until the “heart balance” position has been achieved. The “heart balance” position is experienced as extremely relaxing. This is because the legs, heart and head are situated along an imaginary horizontal line. This is the position in which the heart pumps with minimum effort to provide blood circulation. The motors are battery-powered so there will be no cable connection between the chair and the wallmount. Once every month (or by heavy use when the battery is empty) the battery needs to be recharged. The buttons for controlling the motors are mounted inside the arm (in front of the chair on the leftside). Finally, the backrest can be seamlessly adjusted, and the top customized to provide desired head and neck support (top swing)

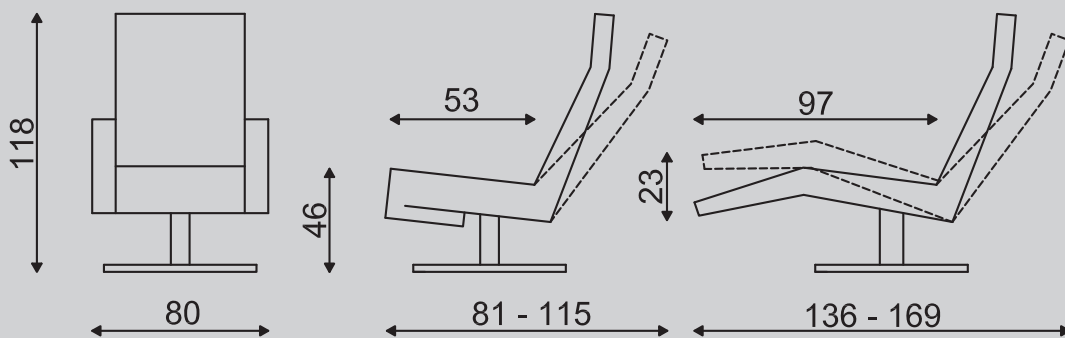
Some Twice models can be equipped with a lift system and / or an electrical adjustable headrest. For more details see the backside of this document.

The chair is available in the sizes Extra Small, Small, Medium, Large, Extra Large and Extra Extra Large

- Extra Small: In this size the seatheight is 2 cm less and the seatdepth is 4 cm less than the chair in Medium size.
- Small: In this size the seatheight is 2 cm less and the seatdepth is 2 cm less than the chair in Medium size.
- Large: In this size the seatheight is 2 cm more and the seatdepth is 2 cm more than the chair in Medium size.
- Extra Large: In this size the seatheight is 4 cm more and the seatdepth is 4 cm more than the chair in Medium size.
- Extra Extra Large: In this size the seatheight is 6 cm more and the seatdepth is 6 cm more than the chair in Medium size.



	Swivelchair					
	XS	S	M	L	XL	XXL
Electrical relaxsystem combined with rechargeable battery and controlpanel inside the arm or seat	Standard			Standard		
Electrical relaxsystem combined with lift and rechargeable battery and controlpanel inside the arm or seat	Optional			Not available yet		
Remote control on otherside (Standard: in front of the chair left)	Optional			Optional		
Remote with spiralcable	Optional			Optional		
Electrical adjustable headrest (manually adjustable is standard)	Not available			Not available		
Inflateable lumbar support	Optional			Optional		
Leatheruse	5,40 m <sup>2</sup>			5,60 m <sup>2</sup>		
Leatheruse with upholstered base	5,90 m <sup>2</sup>			6,10 m <sup>2</sup>		
Fabricuse	4,30 mtr			4,50 mtr		
Fabricuse with upholstered base	4,80 mtr			5,00 mtr		



Small deviations in dimensions reserved. (These dimensions represent the chair in Medium size)